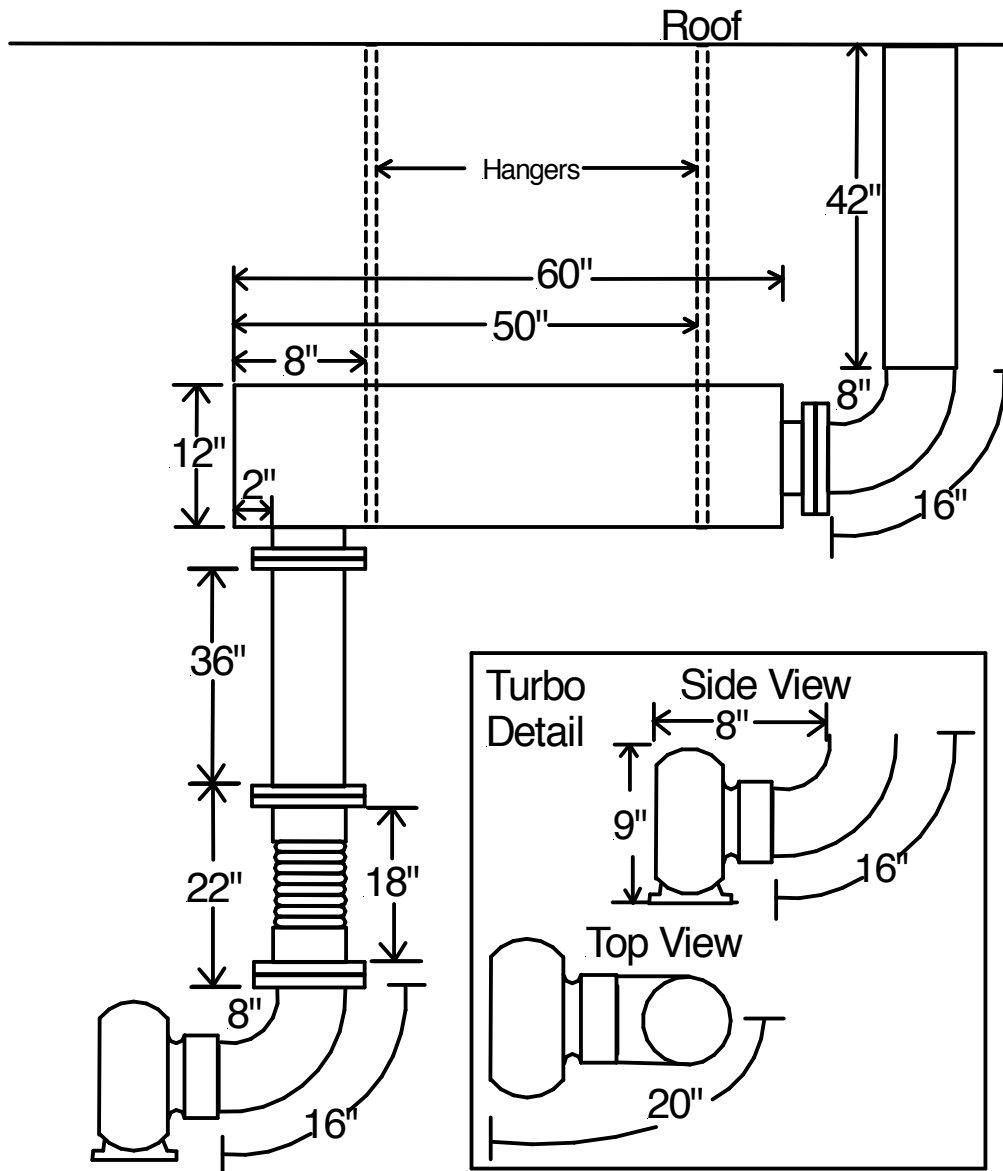


Generator Exhaust Drawing Dimensions Example



On elbows inside radius and outside radius measurements are best measured from welded seams or flanges.

Each pipe and flange needs a circumference measurement

Any hangers or brackets need a reference measurement from a weld point, flange or end of the muffler (as shown in this drawing)

If Turbos are being wrapped see the turbo details that are needed